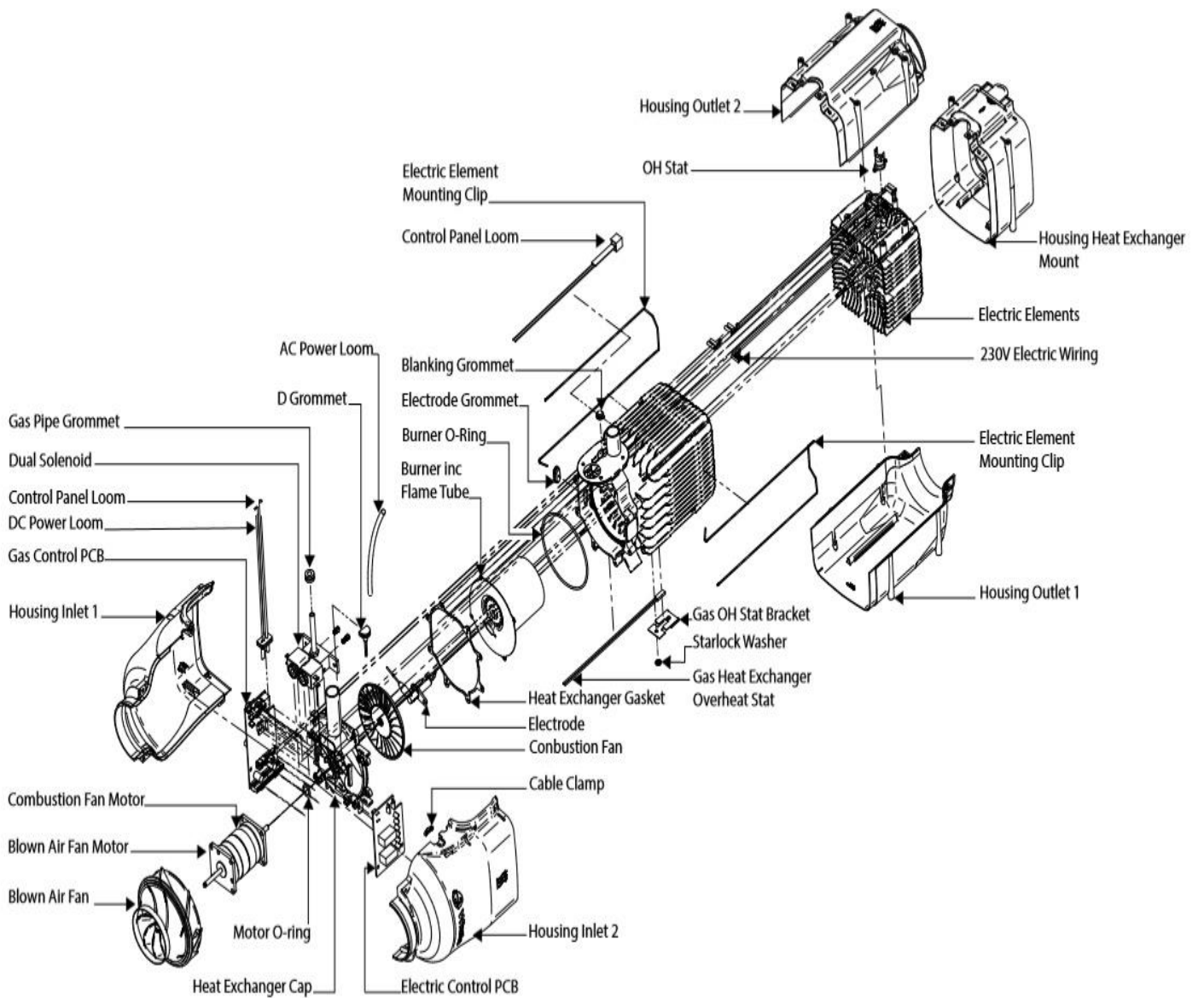


HEAT AIR



Item number	Description	Image
AK1830	Housing Screw kit	
AK1831	Single Motor Unit Kit	
AK1832	Twin Motor Unit Kit	
AK1833	Blown Air Motor kit	
AK1834	Blown Air Fan kit	
AK1835	DC Loom 1.8m Bare Ends kit For 4G/ 5G (6-way connector)	
AK1836	DC Loom JST 1.0m Con kit For 5GE (6-way connector)	
AK1858	DC Loom 1.8m Con kit For 6GE (2-way connector)	
AK1859	DC Loom 1.8m Con kit (3-way connector to wire)	
AK1860	DC Loom 1.8m Con kit (4-way connector to wire)	

AK1862	DC Loom 1.8m Con kit For 6GE (2-way connector to wire)			
AK1863	DC Loom 1.8m Con kit For 3G (5-way connector to wire)			
AK1837	AC 1.0m Ext Loom Kit 3way			
AK1861	AC 1.8m Ext Loom Kit 3way			
AK1838	1.0m LIN Cable Kit			
AK1865	1.8m LIN Cable Kit			
AK1839	Burner Kit			
AK1840	Heat Exchanger Kit			
AK1841	Electrode Kit			
AK1842	3G/ 4G/ 5GE - Solenoid Coil Kit			

AK1843	5G/ 6GE - Solenoid Coil Kit	
AK1844	Solenoid Coil Kit	
AK1845	PCB 4KW Gas 784.60 For 4G	
AK1846	PCB 6KW Gas 784.61 For 5G	
AK1847	PCB 5KW Gas Electric 784.01 For 5GE	
AK1848	PCB 6KW Gas Electric 784.92 For 6GE	
AK1849	Electric PCB Kit 784.02 For 5GE & 6GE	
AK1850	Electric Element Kit	
AK1851	Electric Element Spring Kit	
AK1852	Temp Sens Gas Kit	

AK1853	Temp Sens Gas Electric Kit	
AK1854	Overheat Stat Gas Kit	
AK1855	Electric Element Wire Kit	
AK1856	Overheat Stat Electric Kit	
AK1857	CBE Sh080x Frame Kit	
AK1293	iVan Expanse Communication PCB 886.01 2020 Eddis models only	

Replacement Heaters

If a replacement Heater is required, please reference the table below to determine which Spare Heater code is required to replace it.

Heater Kit	Heater
SL3511	SL35X1
SL5511	SL55X1
SL6511	SL65X1
SL5512	SL55X2
SL7512	SL75X2
SL6511	SL65X1
SL7512	SL75X2